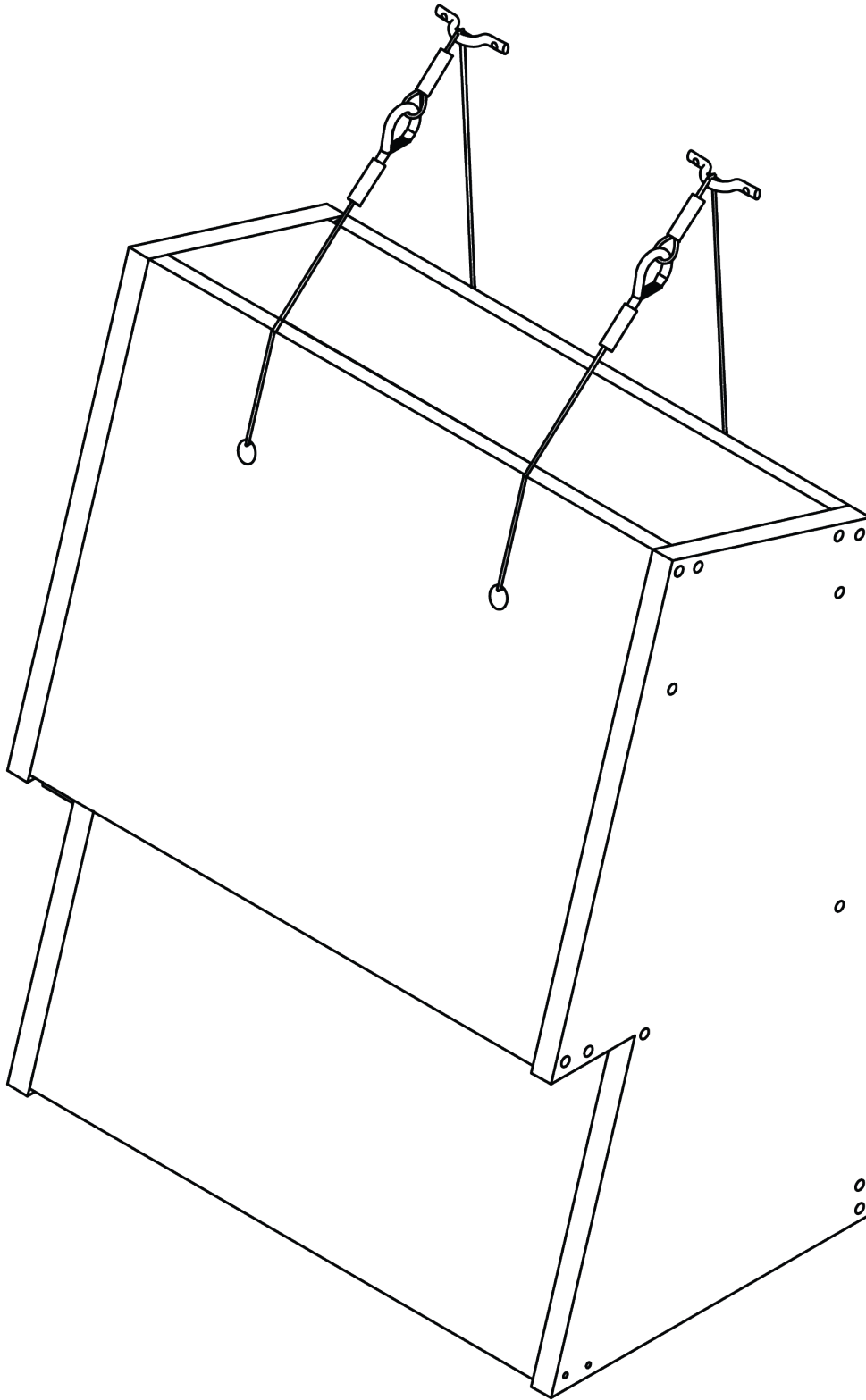
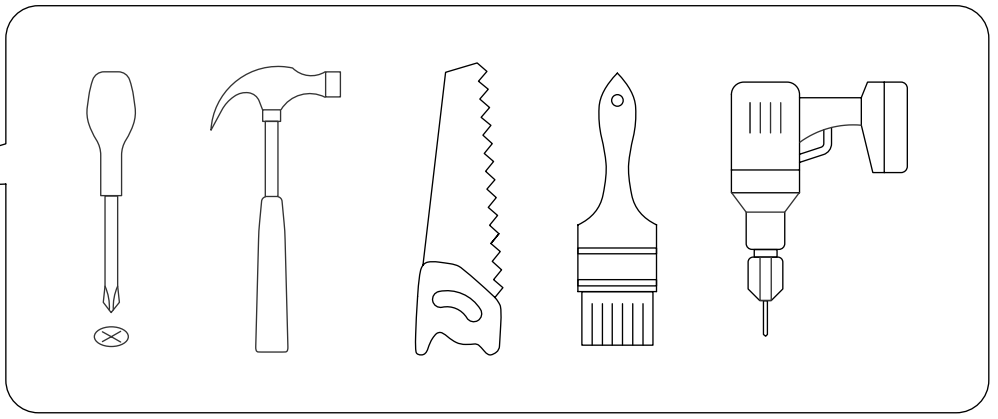


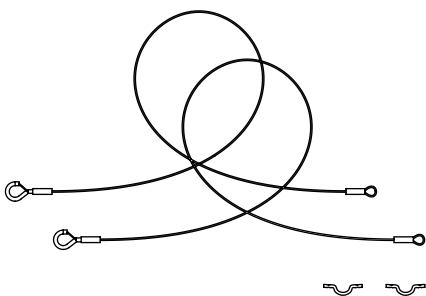
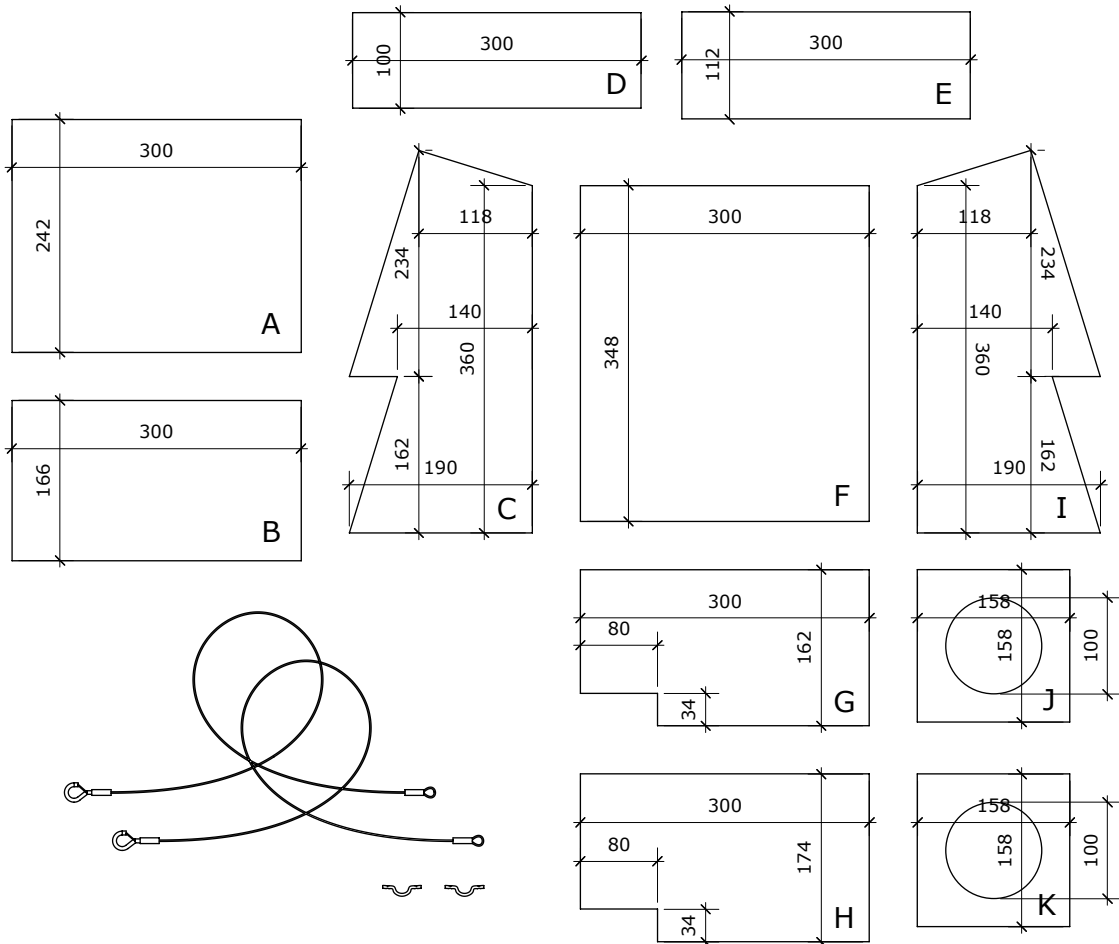
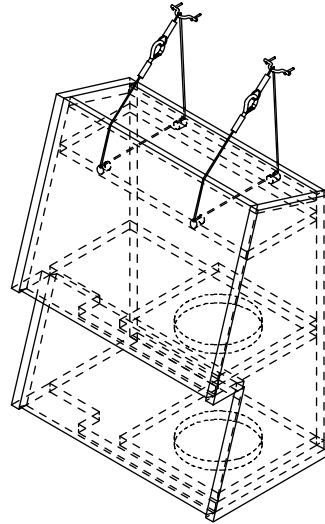
FÅGELHUS 2.0



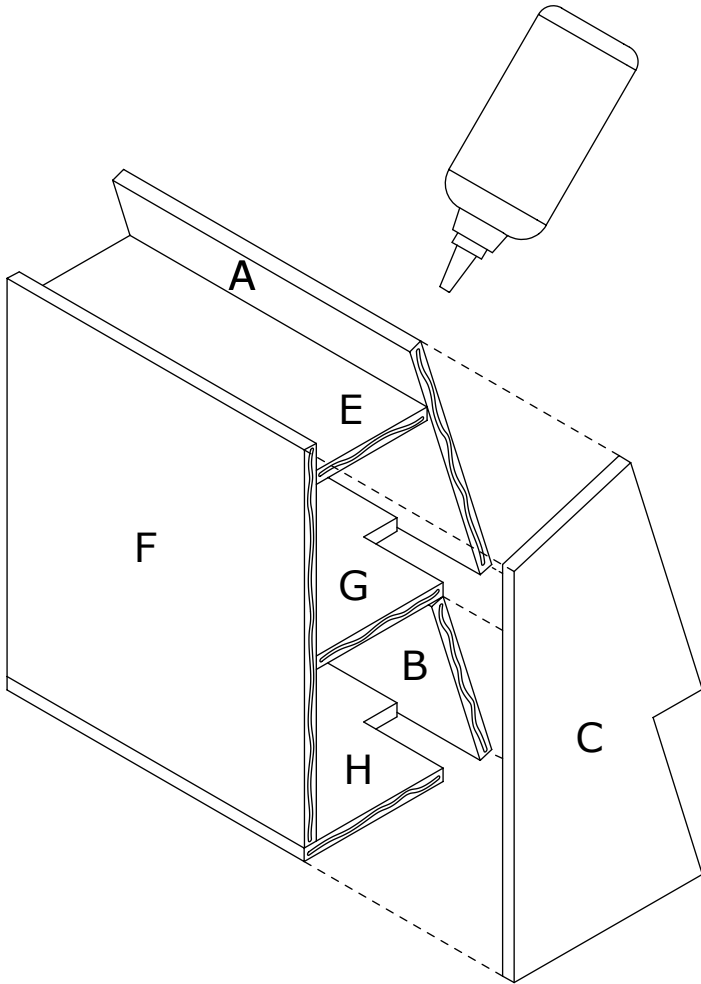
SWIFT BOX



- 12mm exterior grade plywood
- Exterior grade wood glue
- Stainless steel screws
- Stainless steel nails
- Stainless steel wire and hooks
- Wall plugs
- Non-toxic exterior grade paint

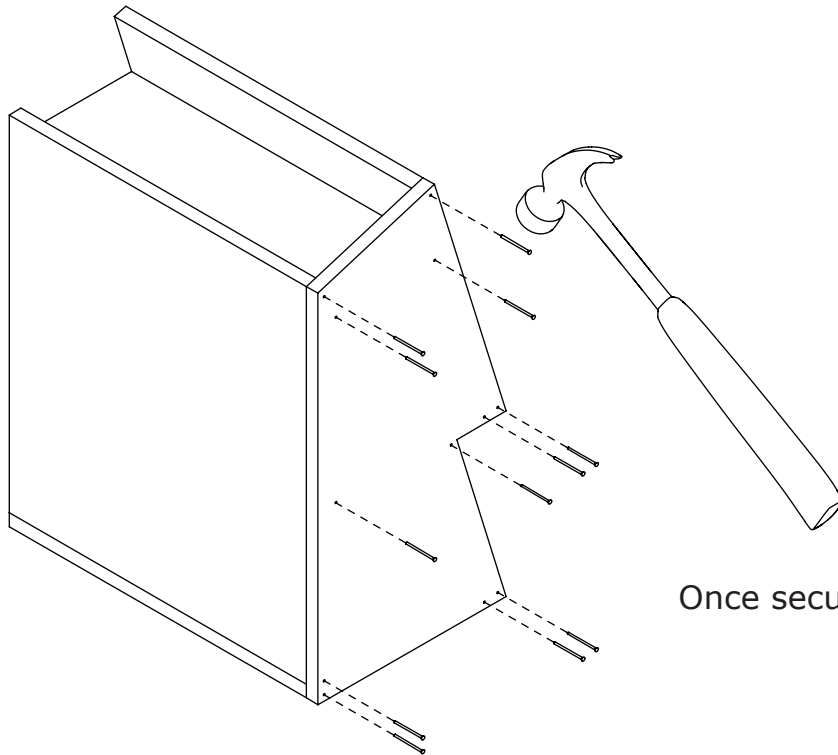


1



Using wood glue, attach pieces F and H. Once dry enough to handle attach pieces G and E (using piece C to measure the placement). Lastly, glue pieces C, A and B in place

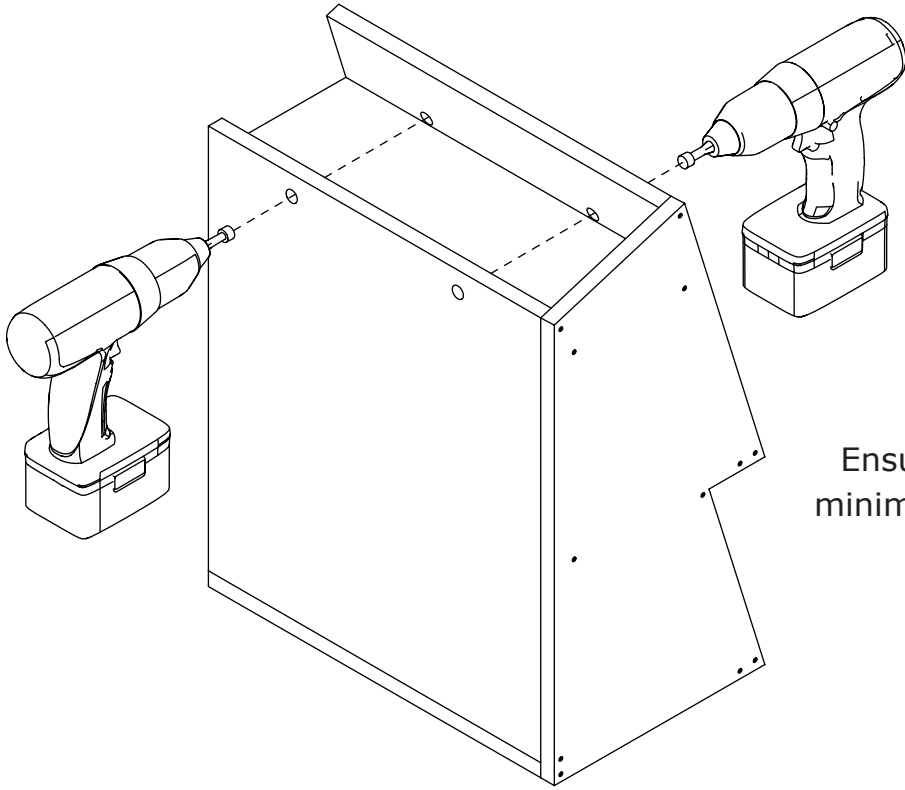
2



Once secure, fix with nails

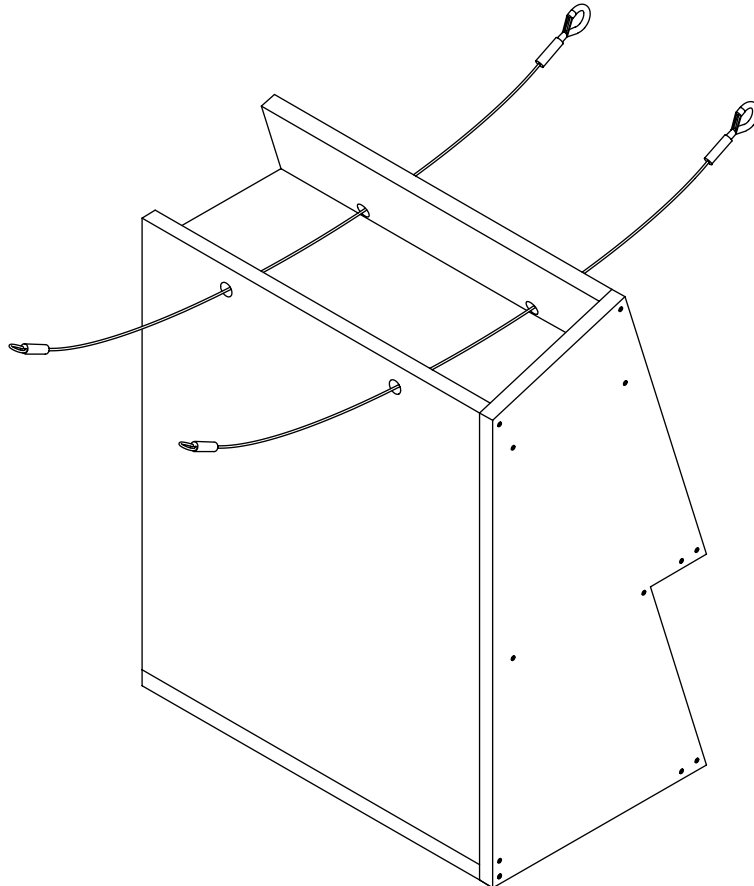
3

3



Ensure the hole is a minimum of 8mm wide

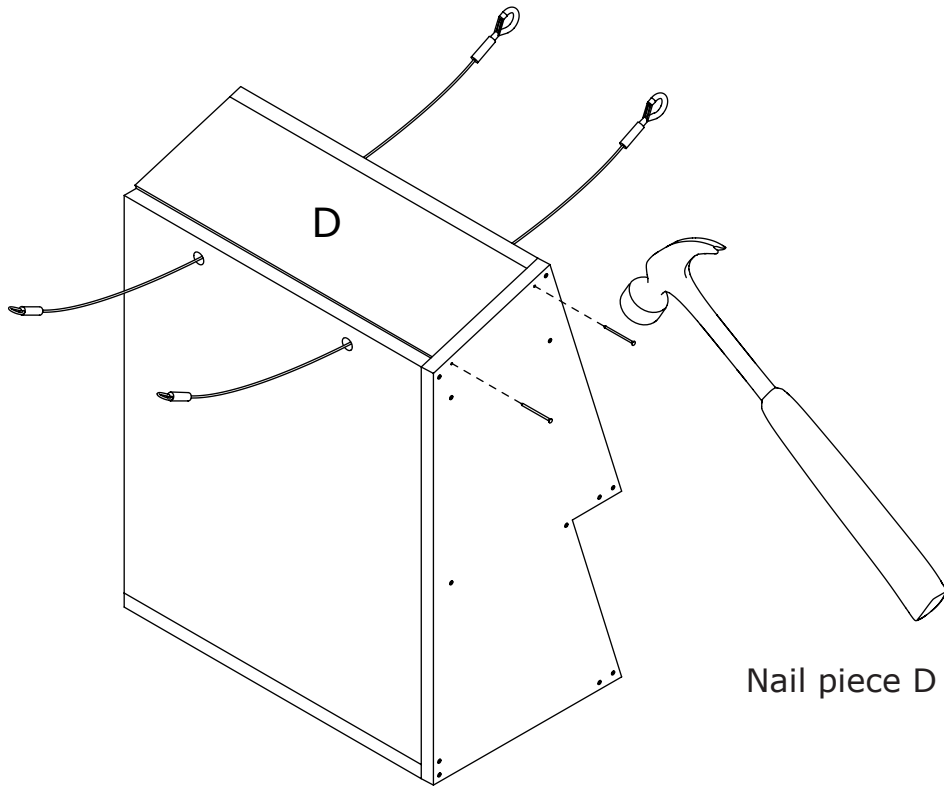
4



4

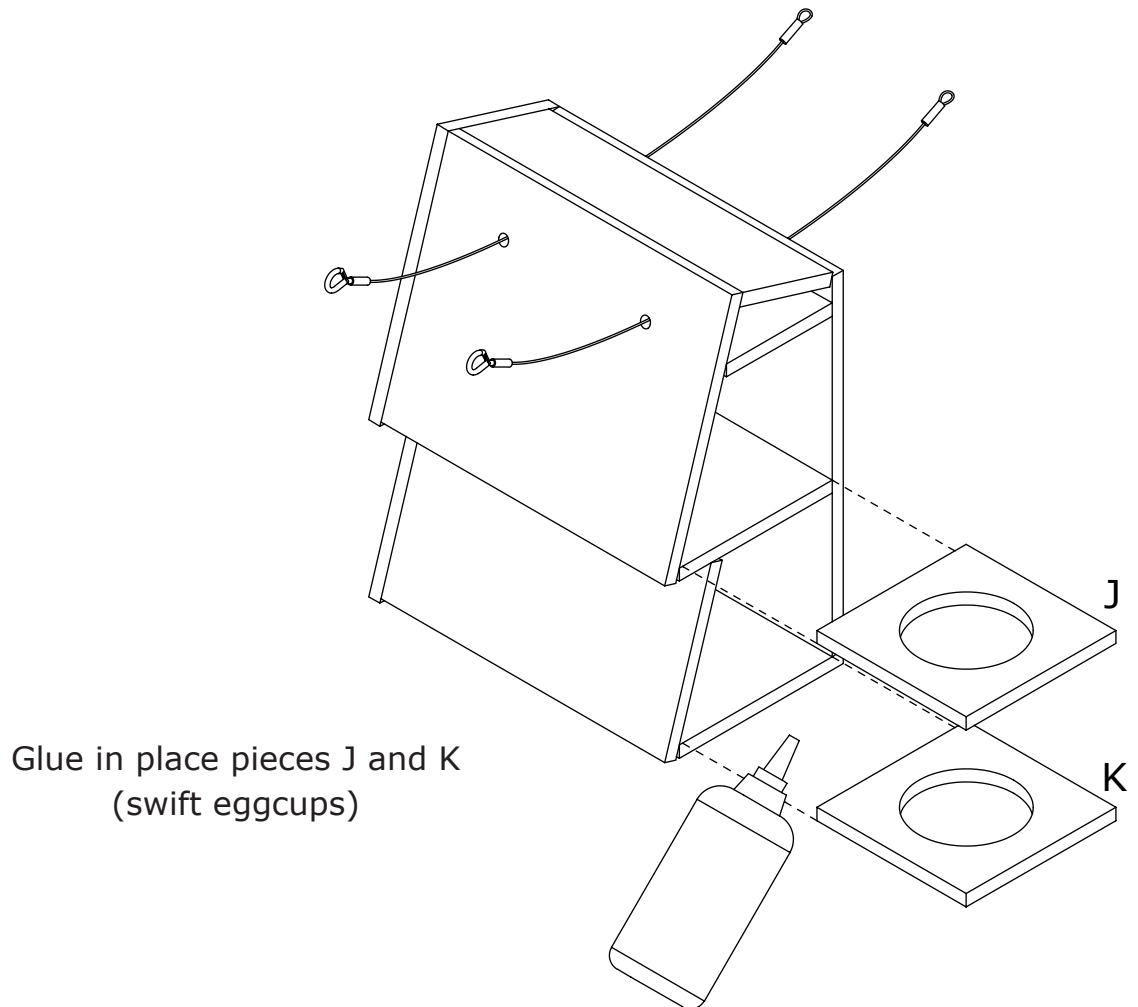
Swifts travel approximately 7,000 miles from Sub-Saharan Africa in search of suitable UK nesting sites. Swifts have always nested close to humans, preferring to nest in the nooks and crannies of old buildings and can often be found nesting in roofs.

5



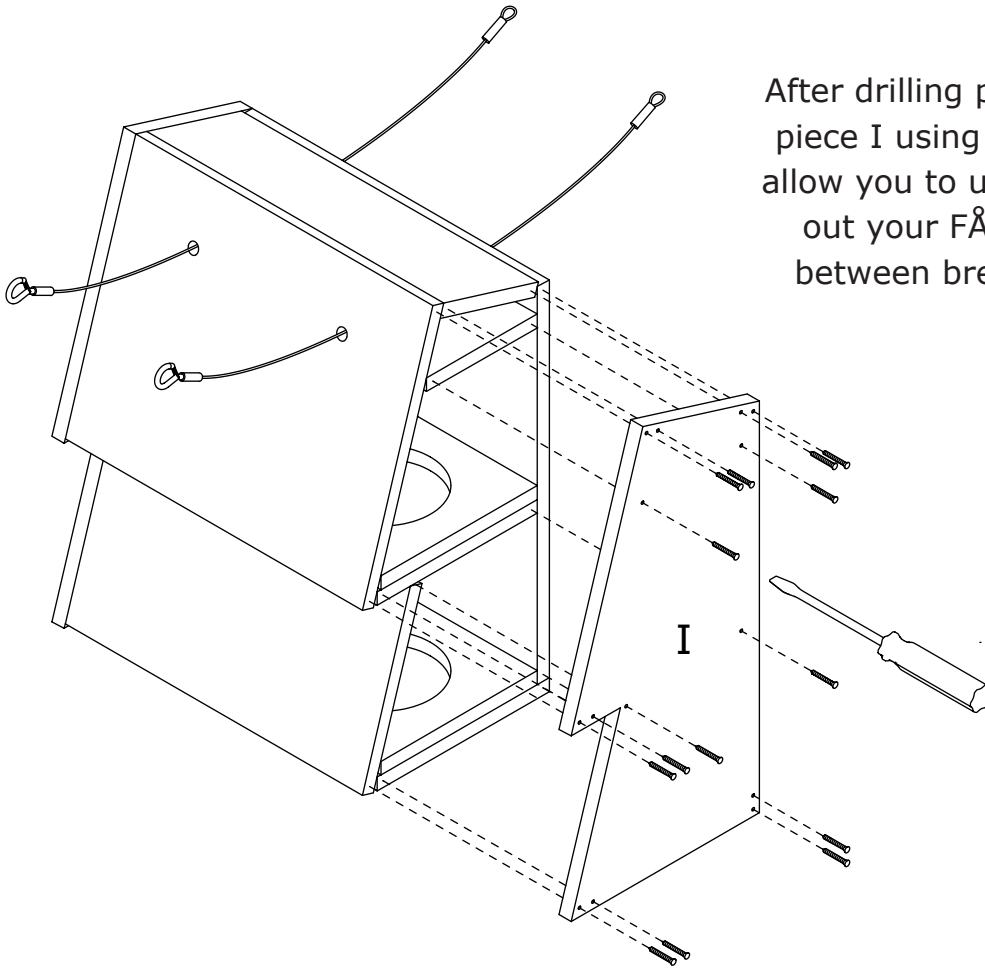
Nail piece D in place

6



Glue in place pieces J and K
(swift eggcups)

7



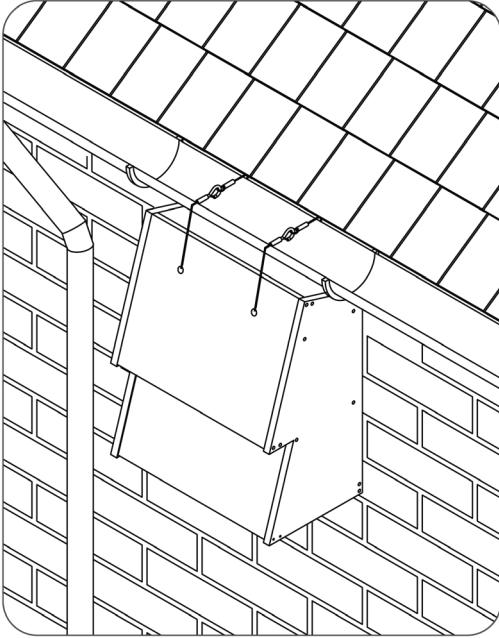
After drilling pilot holes, attach piece I using screws. This will allow you to unscrew and clean out your FÅGELHUS 2.0 in between breeding seasons.

6

Swift's have the ability to fly at the same altitudes as planes and sophisticated navigation skills to locate the same nesting site; this makes them one of the least understood birds.

Putting up the FÅGELHUS 2.0

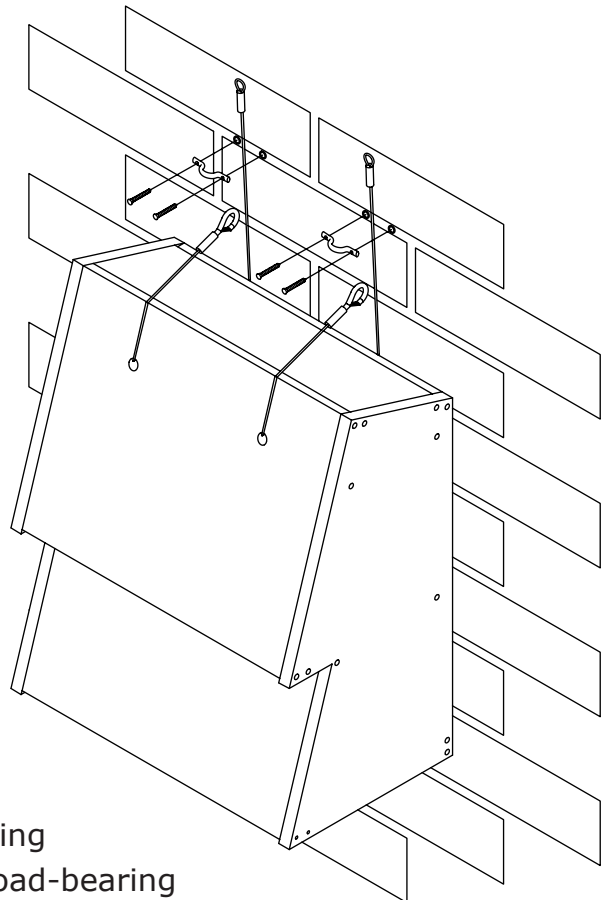
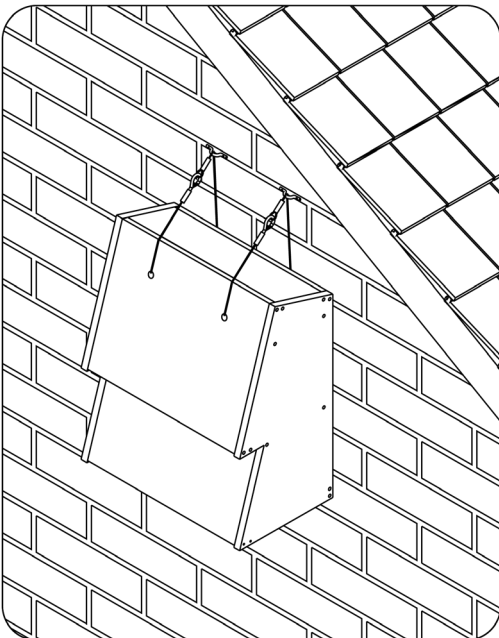
Option 1: Gutter Fixing



Installation Warning:

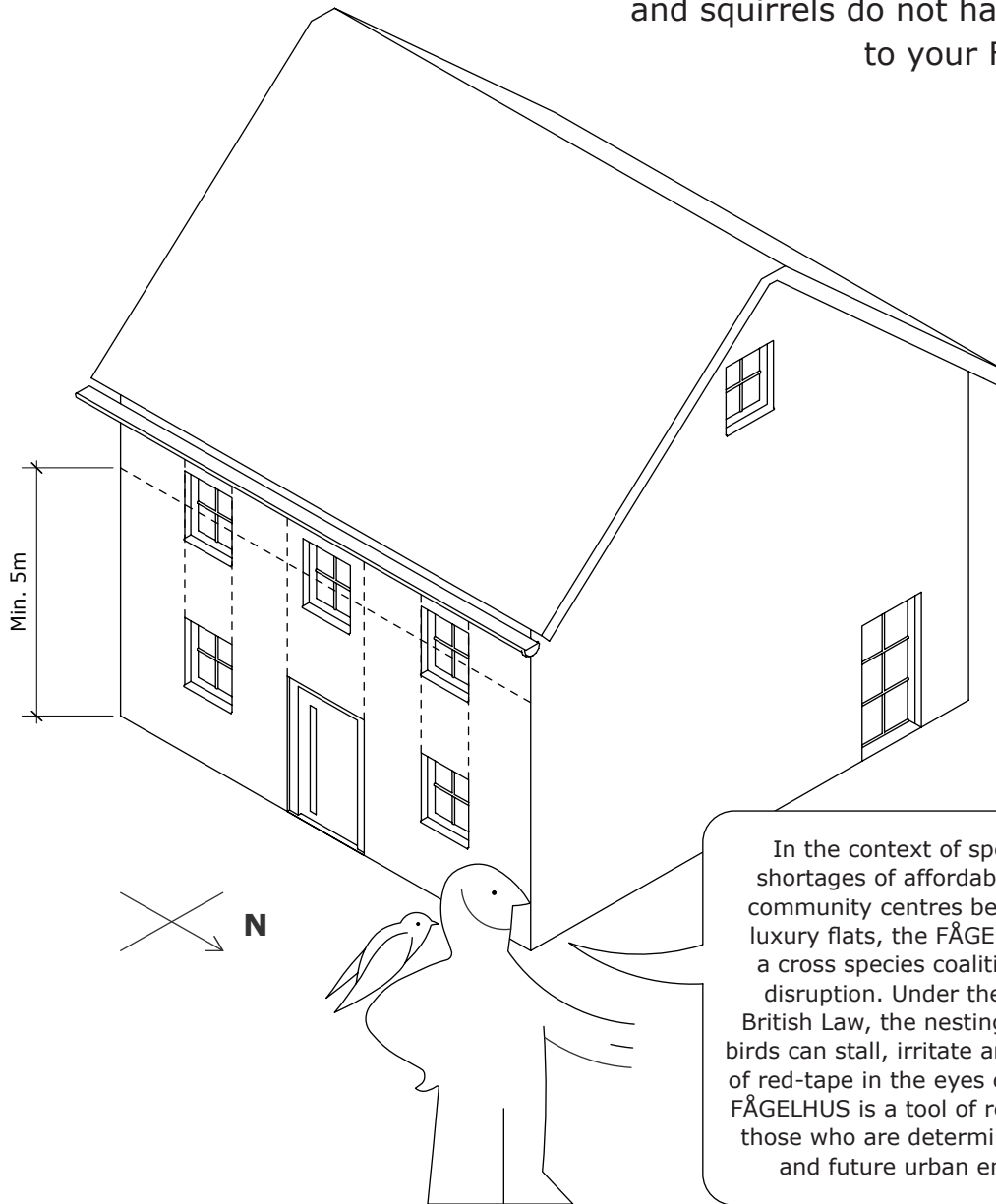
Before hanging FÅGELHUS 2.0, thoroughly inspect the condition of the gutter and ensure it is strong, in good condition and able to bear the weight of the birdbox (approx. 4.5kg). Act with extra caution if the gutter is above a pedestrianised area and please be mindful of public safety when installing FÅGELHUS 2.0. Where available, we suggest attaching to metal over plastic gutters, we also recommend installing wall hooks directly to the exterior of the building (see option 2) in conjunction with the gutter hanging for an extra secure installation.

Option 2: Wall Fixing



If there is no existing hangable feature, using the appropriate wall plugs, mount strong load-bearing stainless steel hooks to the surface of the building. Make sure the hooks are properly secured to the wall before looping the steel wire hooks around the two new anchor points.

If possible, install your FÅGELHUS 2.0 under an overhang or under the eaves of a building, this protects the Swifts (and your box) from wet weather and the summer heat. It should be positioned at least 5 metres above ground, with clear adjacent airspace to enable Swifts to fly directly into the box at high speeds, if possible, place on a wall that faces north, east or somewhere in between. Please also ensure that predators such as cats and squirrels do not have easy access to your FÅGELHUS 2.0.



FÅGELHUS 2.0 has been designed by Feral Partnerships and commissioned by Public Gardens Solutions.

**FERAL
PARTNERSHIPS**

Public Garden Solutions
By Sam Wills and Lira Valencia



A project supported by Turf Projects, Croydon. All illustrations and product design elements are accredited to Feral Partnerships.